



WILLIBALD
RECYCLING TECHNOLOGY



TBU-3P / TBU-XL

SHREDDING - SCREENING - TURNING

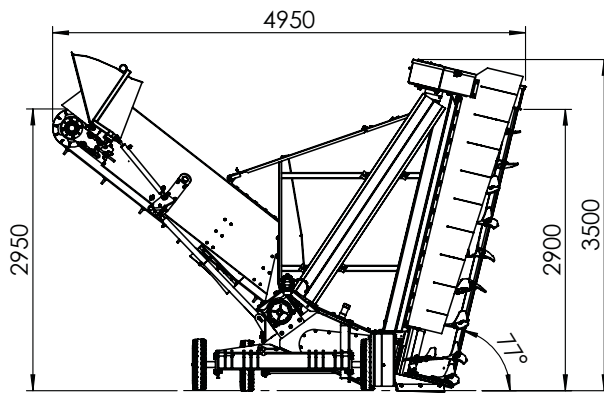


www.wirthbautechnik.de

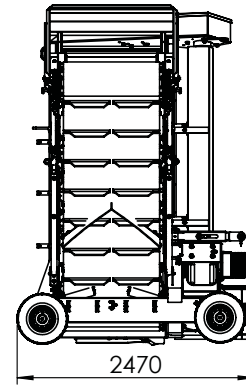


TBU-XL

Important features at a glance



Dimensions in working position



Technical Data TBU 3P

Transport dimensions	(LxWxH) 4950/2470/3500 mm
Total weight	3600 kg
Chassis	4 fixed heavy-duty wheels, optional: steerable rear wheels
Hitch	
Rotation speed of PTO	1000 rpm
Mount	category II + III in the 3-point linkage of the tractor
Hydraulic connections	
Belt up / down, discharge flap close / open	1x double acting, functions changeable by 3-way valve
Milling drum	
Height	2900 mm
Diameter	760 mm
Rotation speed at 1.000 rpm	315 rpm
Knives/milling bits	26 / 2 pcs.
Max. milling depth	up to 500 mm depending on type of tractor and kind of material
Discharge belt (rubber belt)	
Dropping height	3500 mm
Speed at 1.000 rpm	6,6 m/s
Tractor minimum requirement	
Minimum performance	from 96 kW / 130 HP
Maximum performance	from 220 kW / 300 HP
Speed	up to 1,5 km/h

The specified parameters refer to the standard machine.
The dimensions and specifications may vary due to equipment options.



TBU 3P

- With four fixed, heavy-duty wheels
- Two steerable rear wheels are also available as an option

- Height 2.90 m, weight 400 kg
- 26 knives and two milling chisels
- The maximum milling depth of the drum is up to 50 cm depending on the tractor and material properties

- Dropping height of 350 cm (width 100 cm)

- The ideal tractor performance is between 130 and 300 PS

- Hydraulic connections: 1x double acting
- The functions (belt up / down, discharge flap close / open) are adjustable by a 3-way valve

- swivelable trailing axle
- special paint according to RAL specifications is possible at the customer's request

- up to 1,000 m³/h compost

Basic machine:

Sturdy steel window turning device hitchable to tractors. No public road license, can only be transported by trailer or flat-bed truck

Milling drum:

Heavy-duty steel version with a diameter of approx. 80 cm

Discharge belt:

The compost is thrown out on the opposite side to the milling drum by a rubber conveyor belt

Discharge flap:

The form and height of the newly stacked parallel windrow can be controlled well with the continuously adjustable discharge flap

Drive:

The machine is driven by an included, suitable powertrain by the PTO of a tractor. It is fixed by the 3-point hitch

Hydraulics:

Machine accessories:

The suitable „Walterscheid PowerDrive“ powertrain with overload coupling (choice of four connection profiles) for the tractor is included in the purchase

Other options:

- With two fixed heavy-duty wheels at the front and two steerable rear wheels at the rear

- Height 3.40 m, weight 500 kg
- 35 knives and two milling chisels
- The maximum milling depth of the drum is up to 60 cm depending on the tractor and material properties

- Dropping height of 400 cm (width 120 cm)

- Optimum tractor performance between 180 and 300 PS

- Hydraulic connections: 2x double acting
- The functions (discharge flap close / open and the support legs up / down, swivel drum) are adjustable by a 3-way valve.

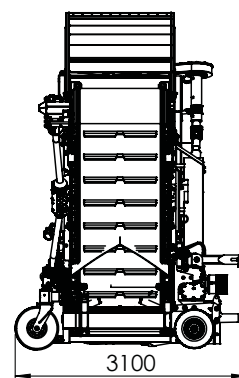
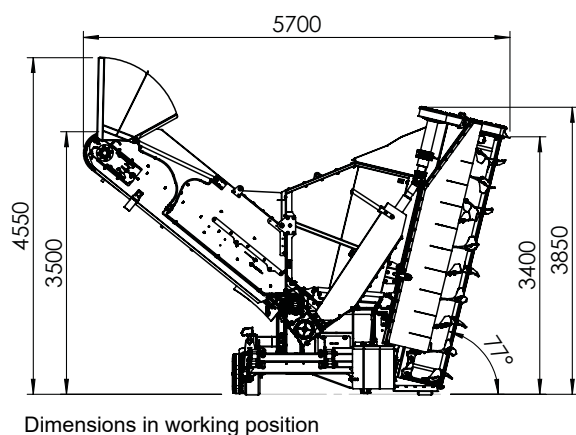
- hydraulic moving frame
- reinforced trailing axle
- hydraulic interlocking
- RAL special paint selectable according to customer's request

- up to 1,500 m³/h compost

Throughput rate:

At a turning speed of 0.5 up to 1.5 km/h depending on the tractor performance and milling depth

Special requests: Individual customer requests are possible after examination. We look forward to your challenges.



Technical Data TBU XL

Transport dimensions	(LxWxH) 8050/2550/3650 mm
Total weight	5800 kg (+500 kg with a reinforced axle)
Chassis	2 fixed heavy-duty wheels, 2 steerable rear wheels
Hitch	
Rotation speed of PTO	1000 rpm
Mount	category III in the 3-point linkage of the tractor
Hydraulic connections	
Swivel drum (for transport) Support legs up/down	2x double acting
Discharge flap close/open	from tractor
Milling drum	
Height	3400 mm
Diameter	800 mm
Rotation speed at 1.000 rpm	330 rpm
Knives/milling bits	35 / 2 pcs.
Max. milling depth	up to 600 mm depending on type of tractor and kind of material
Discharge belt (rubber belt)	
Dropping height	4000 mm
Speed at 1.000 rpm	7 m/s
Tractor minimum requirement	
Minimum performance	from 132 kW / 180 HP
Maximum performance	from 220 kW / 300 HP
Speed	up to 1,5 km/h

The specified parameters refer to the standard machine.
The dimensions and specifications may vary due to equipment options.



COMPOST WINDROW TURNER

TBU 3P / TBU XL

Continuous turning of shredded materials, such as green waste for example, ensures even mixing of the windrow layers so that considerably faster compost ripening is followed by a thoroughly homogeneous end product of the highest quality. Our compact windrow turners TBU 3P and TBU XL enable high turning speeds including secondary shredding of larger residue materials.

Two powerful tractor-towed compost turners depending on the windrow height

For restacking trapezoidal compost windrows up to a height of 3 meters, the TBU 3P, and up to a height of 3.5 meters, the TBU XL, is the ideal choice. The restacking procedure is performed in a space-saving way by cutting off compost flanks and moving the cut material to a parallel windrow. The TBU series is driven by the PTO shaft with three-point linkage of common high-performance tractors.

The most important advantages at a glance:

Low-maintenance and easy to operate processing machine

Work process in the pull direction and therefore a clear view for the operator

Fast and easy replacement of the milling tools

Willibald technology meets all the important requirements of the composting branch:

Very good mixing of the outer and inner windrow layers

Secondary shredding of the compost constituents

Reactivation of the micro-organisms thanks to improved air supply

Shorter decomposition time and higher quality of the compost