

FENDT 200-series



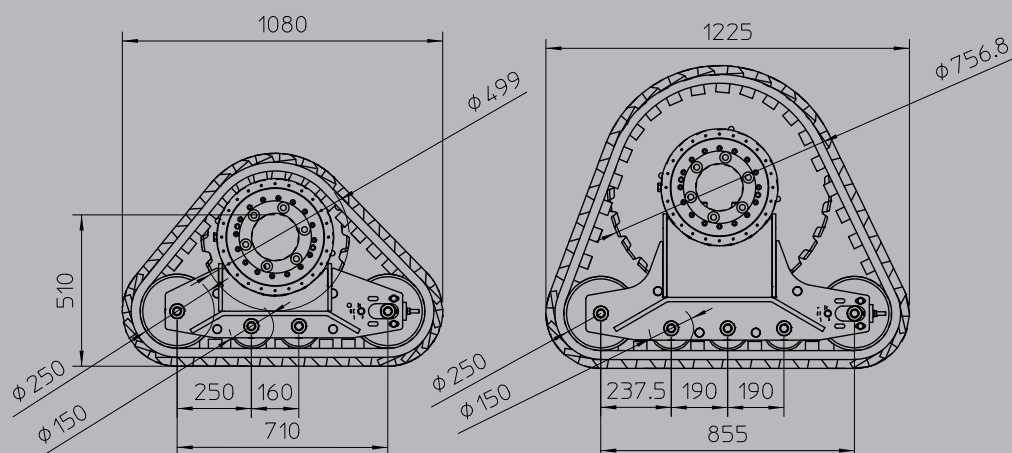
- Created to handle the **most extreme working conditions**
- Especially suitable for vehicles in **viticulture** and **fruit growing** in sloped areas
- Less ground pressure, **optimum traction**, increased stability
- **Interchangeable** with wheels within half a day
- **No adjustment needed** to tractor
- Including limiter set
- **Quicker access** to soils with lower carriage capacities



Technical data:

FRONT

REAR



Typ of track: E-frame

Width of track: 320 mm (front)
450 mm (rear)

Options:

- Tracks in original colours, as seen on the photos